

OWNERS MANUAL

How to maintain and operate your
EcoWater multi-purpose filter

.....

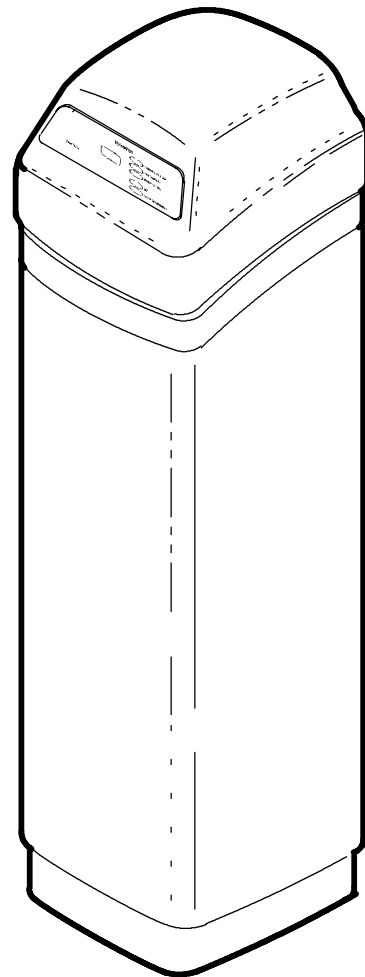
ECOWATER
S Y S T E M S®



**SERIES
ETF2100 PF**

WITH **DC** (direct current) VALVE
DRIVE MOTOR

NOTE: Refer to manual # 7217933 for
information on all models with an **AC**
(alternating current) valve drive motor.



UNPACKING

EcoWater Multi-Purpose Filters are shipped from the factory in one master carton consisting of ...

- ...Mineral tank and valve assembly
- ...Controller cover and timer assembly
- ...Skin-pack of small parts (includes this manual)

NOTE: Filtering mineral is not included. See page 21 for ordering information.

Thoroughly check the filter for possible shipping damage and parts loss. Also inspect and note any damage to the shipping carton. Notify the transportation company if damage is present. EcoWater is not responsible for in-transit damages.

Remove and discard (RECYCLE) all packing materials. We suggest that you do not remove the small parts on the skin-pack until you are ready to use them. Filter assembly instructions are on page 5.

TABLE OF CONTENTS

	Page
Warranty / Safety Guides	3
Specifications / Dimensions	4
Assembly	5
Planning Installation	6 - 7
Installation Steps	8 - 10
Programming Face Plate-Timer	11 - 13
Filter Operation	
General	14
Service / Backwash / Fast Rinse	14 - 16
Service Information	
Neutralizing Filter	17
Taste & Odor Filter	17
Troubleshooting	18 - 19
Wiring Schematic	19
Repair Parts	20 - 23

EcoWater Systems, Inc.

**Advantage Warranty
Series ETF 2100 Water System**

Congratulations! You have just purchased the highest quality water conditioning product on the market. To register your warranty, complete the enclosed Warranty Registration Card and mail it within 30 days of purchase.

To whom is this warranty extended?

EcoWater Systems, Inc. warrants its products to the original owner and guarantees that the products will be free from defects in materials and workmanship from the original date of installation.

How does my warranty work?

If, during the respective warranty period, a part proves, after inspection by EcoWater, to be defective, EcoWater will, at its sole option repair or replace that part at no charge, other than normal shipping and installation charges.

What is covered by the warranty?

EcoWater systems, Inc. guarantees that,

for the LIFETIME of the original owner, the SALT TANK and the MINERAL TANK will not rust, corrode, leak, burst, or in any other manner fail to perform their proper functions and that,

for a period of FIVE (5) YEARS after installation, the VALVE BODY will be free of defects in materials and workmanship and will perform its proper function and that,

for a period of THREE (3) YEARS after installation, the ELECTRONIC FACEPLATE will be free of defects in materials and workmanship and will perform its normal functions and that,

for a period of ONE (1) YEAR after installation, ALL OTHER PARTS will be free of defects in materials and workmanship and will perform their normal functions.

How do I obtain local service?

Should you need service, your local, independent EcoWater Dealer is only a phone call away.
PHONE: _____

If I need a part replaced after the factory warranty expires, is that part warranted?

Yes, EcoWater Systems, Inc. warrants FACTORY REPAIRS as well as all replacement parts for a period of 90 DAYS.

Are any additional warranties available?

We are pleased to say, YES! EcoWater Systems, Inc. offers an EXTENDED, PARTS ONLY WARRANTY for the ELECTRONICS portion of your product. This warranty is called the "Perfect Ten" and extends the three year warranty on the electronic FACEPLATE, WIRING HARNESS, DRIVE MOTOR, TRANSFORMER, POWER CORD, SENSOR HOUSING, and MICRO SWITCHES to a total of TEN YEARS from the date of original installation. Should your local dealer not offer this warranty, you may contact the factory for additional information.*

General Provisions

The above warranties are effective provided the water conditioner is operated at water pressures not exceeding 125 psi, and at water temperatures not exceeding 120°F; provided further that the water conditioner is not subject to abuse, misuse, alteration, neglect, freezing, accident or negligence; and provided further that the water conditioner is not damaged as the result of any unusual force of nature such as, but not limited to, flood, hurricane, tornado or earthquake. EcoWater Systems, Inc. is excused if failure to perform its warranty obligations is the result of strikes, government regulation, materials shortages, or other circumstances beyond its control.

To obtain warranty service, notice must be given, within thirty (30) days of the discovery of the defect, to your local EcoWater Systems dealer.

*THERE ARE NO WARRANTIES ON THE WATER CONDITIONER BEYOND THOSE SPECIFICALLY DESCRIBED ABOVE. ALL IMPLIED WARRANTIES, INCLUDING ANY IMPLIED WARRANTY OF MERCHANTABILITY OR OF FITNESS FOR A PARTICULAR PURPOSE, ARE DISCLAIMED TO THE EXTENT THEY MIGHT EXTEND BEYOND THE ABOVE PERIODS. THE SOLE OBLIGATION OF ECOWATER SYSTEMS, INC. UNDER THESE WARRANTIES IS TO REPLACE OR REPAIR THE COMPONENT OR PART WHICH PROVES TO BE DEFECTIVE WITHIN THE SPECIFIED TIME PERIOD, AND ECOWATER IS NOT LIABLE FOR CONSEQUENTIAL OR INCIDENTAL DAMAGES. NO ECOWATER DEALER, AGENT, REPRESENTATIVE, OR OTHER PERSON IS AUTHORIZED TO EXTEND OR EXPAND THE WARRANTIES EXPRESSLY DESCRIBED ABOVE.

Some states do not allow limitations on how long an implied warranty lasts or exclusions or limitations of incidental or consequential damage, so the limitations and exclusions in this warranty may not apply to you. This warranty gives you specific legal rights, and you may have other rights which vary from state to state. This warranty applies to consumer-owned installations only.

SAFETY GUIDES

Follow the installation instructions carefully. Failure to install the filter properly **voids the warranty.**

Before you begin installation, read this entire manual. Then, obtain all the materials and tools you will need to make the installation.

Check local plumbing and electrical codes. The installation must conform to them.

NOTE: Codes in the state of Massachusetts require installation by a licensed plumber. For installation, use plumbing code 248-CMR of the Commonwealth of Massachusetts.

Use only lead-free solder and flux for all sweat-solder connections, as required by state and federal codes.

Use care when handling the filter. Do not turn upside down, drop, or set on sharp protrusions.

Do not locate the filter where freezing temperatures occur. Do not attempt to filter water over 120°F. **Freezing, or hot water damage voids the warranty.**

Avoid installing in direct sunlight. Excessive sun heat may cause distortion or other damage to non-metallic parts.

The filter requires a minimum water flow (see specifications) at the inlet. **Maximum allowable inlet water pressure is 125 psi.** If daytime pressure is over 80 psi, nighttime pressure may exceed the maximum. Use a pressure reducing valve if necessary. Adding a pressure reducing valve may reduce the flow.

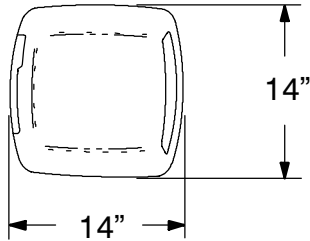
This filter works on 24 volt-60 hz electrical power only. Be sure to use the included transformer and plug it into a nominal 120v, 60 cycle household outlet that is grounded and properly protected by an over current device such as a circuit breaker or fuse. If transformer is replaced use only the authorized service, class II, 24 volt, 10va transformer.

This system is not intended to be used for treating water that is microbiologically unsafe or of unknown quality without adequate disinfection before or after the system.

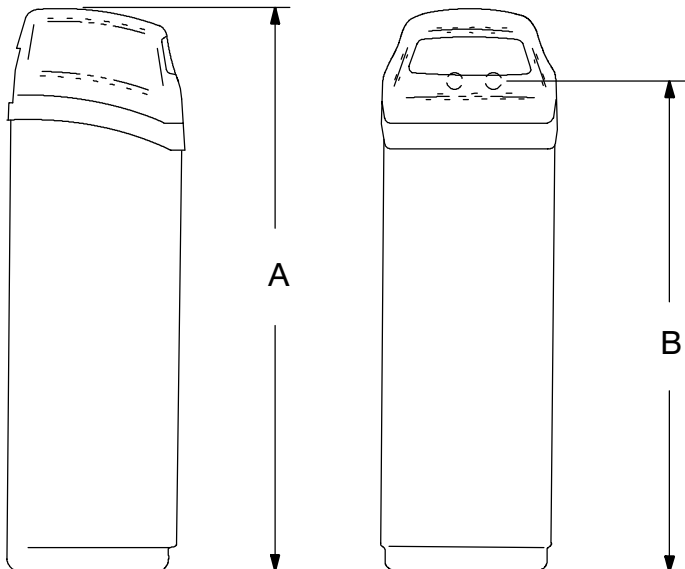
		ETF2100PF10 10" DIA x 47" RESIN TANK	ETF2100PF12 12" DIA x 54" RESIN TANK
FILTER TYPE, Mineral ¹ SEDIMENT REMOVAL Filter Aggregate	limits	factory recommendation based on water analysis	
ACID NEUTRALIZER Neutralite	water supply pH limits	6.0 to 6.8	6.0 to 6.8
TASTE & ODOR REMOVAL Activated Carbon	limits	factory recommendation based on water analysis	
AMOUNT MINERAL RECOMMENDED (cu. ft.)		1 to 1-1/4	2
AMOUNT GRAVEL (lbs.)		17	29
AMOUNT FILTER SAND RECOMMENDED (lbs.) ¹		10	14 - 15
SUPPLY WATER PRESSURE LIMITS (PSI)		20 - 125	20 - 125
SUPPLY WATER TEMPERATURE LIMITS (°F)		35 - 120	35 - 120
MINIMUM INLET WATER FLOW, BACKWASH AND FAST RINSE FLOW TO DRAIN	(gal. per Min.)	5	7
BACKWASH TIME (MINUTES) ²		25	25
FAST RINSE TIME (MINUTES) ²		5	5

¹ not included with filter

² Default times - cycle length is adjustable



	ETF2100PF10	ETF2100PF12
A	57"	62-1/2"
B	50"	55-3/4"



FILL THE MINERAL TANK

1. Remove the tank clamps, figure 1, valve assembly, o-ring seals (3), and the top distributor.

2. Using a funnel, add the specified amount of filter sand, then the mineral.

Note: The filter is factory filled with the correct amount of gravel. Filter sand, and the desired filter mineral are not included.

CAUTION: To prevent sand and mineral from entering the bottom distributor and riser, temporarily plug with a clean rag.

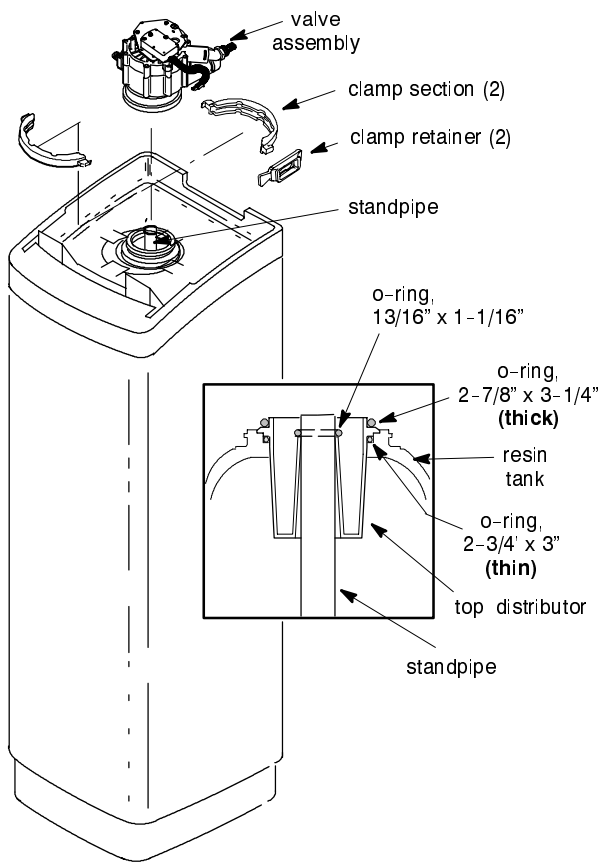


FIGURE 1

SANITIZING THE FILTER

Care is taken at the factory to keep you water filter clean and sanitary. Materials used to make the filter will not infect or contaminate your water supply, and will not cause bacterial to form or grow. However, during shipping, storage, installing and operating, bacteria could get into the filter. For this reason, sanitizing, as follows, is suggested when installing.

Pour about 1 oz. (ETF2100PF10), or 2 oz. (ETF2100PF12), of the following disinfectant into the filter.

1. Calcium hypochlorite, available in granular or tablet form, under trade names such as Perchloron or HTH.
2. Common 5.25% household bleach such as Clorox, Linco, Bo Peep, White Sail, Eagle, etc.

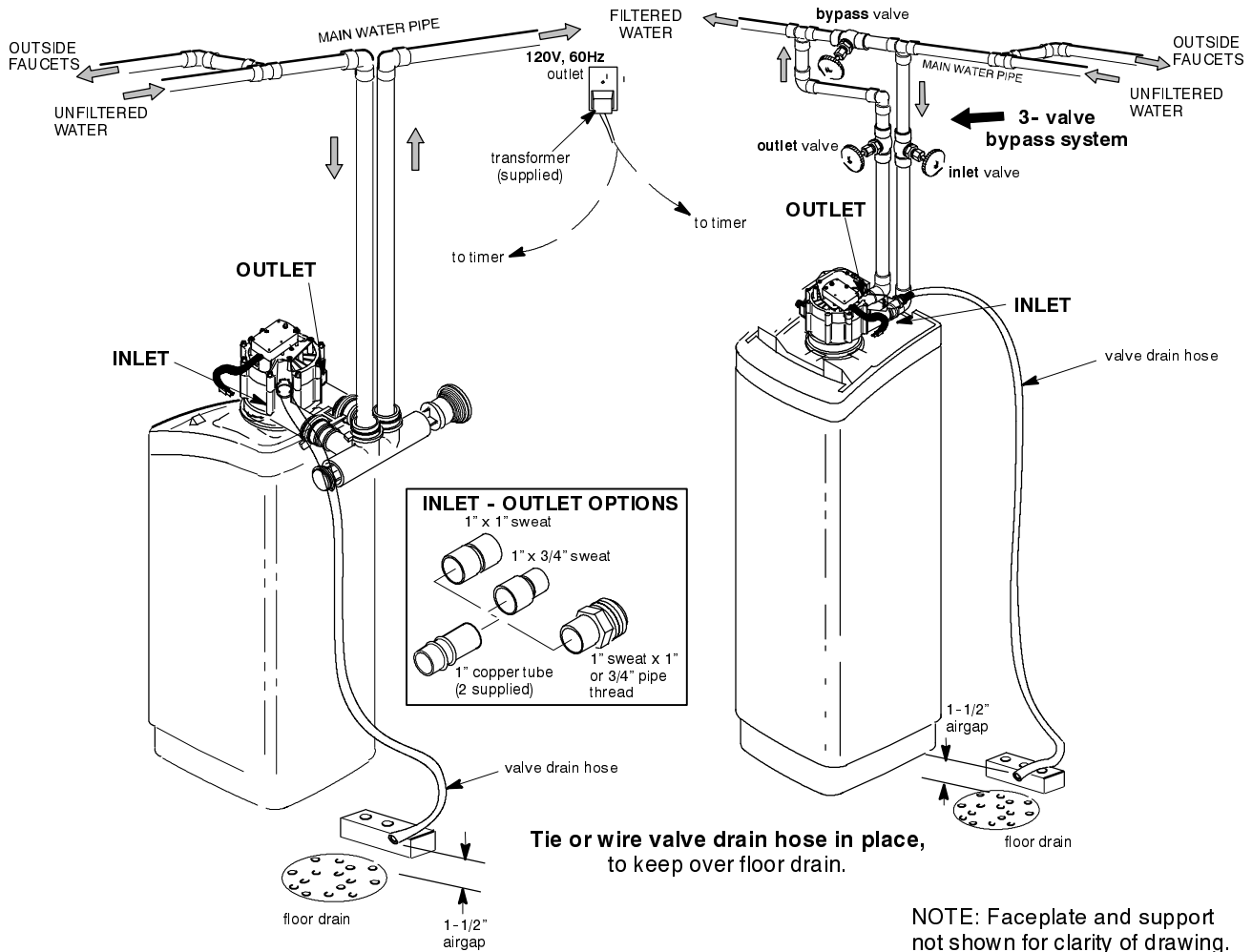
NOTE - ACTIVATED CARBON FILTERS: ACTIVATED CARBON WILL ABSORB THE SANITIZING AGENT, EXPENDING SOME CAPACITY.

SANITIZING CONTINUED IN STEP 9, PAGE 10, AND STEP 2 ON PAGE 12.

3. Thoroughly clean all sand and mineral from the tank top opening. Then, install the top distributor and o-ring seals (4), exactly as shown in figure 1.

4. Lower the valve assembly, onto the mineral tank, centering over the standpipe, Push downward, to squeeze the o-rings, and install the clamp sections and both retainers. **BE SURE THE CLAMPS AND RETAINERS ARE FIRMLY IN PLACE.**

FIGURE 2 - TYPICAL INSTALLATION DRAWINGS






INLET - OUTLET PLUMBING OPTIONS

1. ALWAYS INSTALL either an EcoWater bypass valve, #7214383, or a 3 valve bypass system.
2. Use 1" or 3/4" (minimum) pipe and fittings.
3. Use sweat copper or threaded pipe* or PVC plastic pipe.*

*Sweat soldering is required to adapt to the fittings (1" male) supplied with the filter, or obtain approved compression adaptors. The following special fittings are available from EcoWater. **Be sure to comply with all local plumbing codes.**

OPTIONAL INLET/OUTLET FITTINGS

-  #7104546 PVC Nipple – Use in place of included copper inlet and outlet tubes.
-  #7129211 Adaptor Fitting, 1-1/2" (2) – Use in place of included copper inlet and outlet tubes.
-  #7120259 Elbow – Extends inlet and/or outlet in any 90° direction.

OTHER REQUIREMENTS

4. A drain is needed for regeneration discharge water. A floor drain, close to the filter is preferred. A laundry tub, standpipe, etc., are other options.
CAUTION: DRAIN WATER EXITS THE HOSE AT A FAST FLOW RATE, AND AT WATER SYSTEM PRESSURE. BE SURE THE HOSE IS FASTENED IN SOME MANNER TO PREVENT "WHIPPING", AND SPLASHING TO PREVENT WATER DAMAGE TO SURROUNDING AREA.
5. A 120v-60Hz, grounded electrical outlet (continuously "live" is need within 10' of the filter.

TOOLS YOU MAY NEED

- common screwdriver
- cross-point screwdriver
- pliers
- tape measure

SOLDERED COPPER THREADED CPVC PLASTIC

- | | | |
|--|--------------------------|---------------------|
| • tubing cutter | • hacksaw or pipe cutter | • hacksaw |
| • propane torch | • threading tool | • adjustable wrench |
| • LEAD-FREE solder and flux | • pipe joint compound* | • solvent cement* |
| • emery cloth, sandpaper or steel wool | | • primer |

MATERIALS YOU MAY NEED

- bypass valve, or 3 valves
- pipe and fittings as required
- 5/8" I. D. minimum drain hose, either standard garden hose, or hose onto a barb fitting*

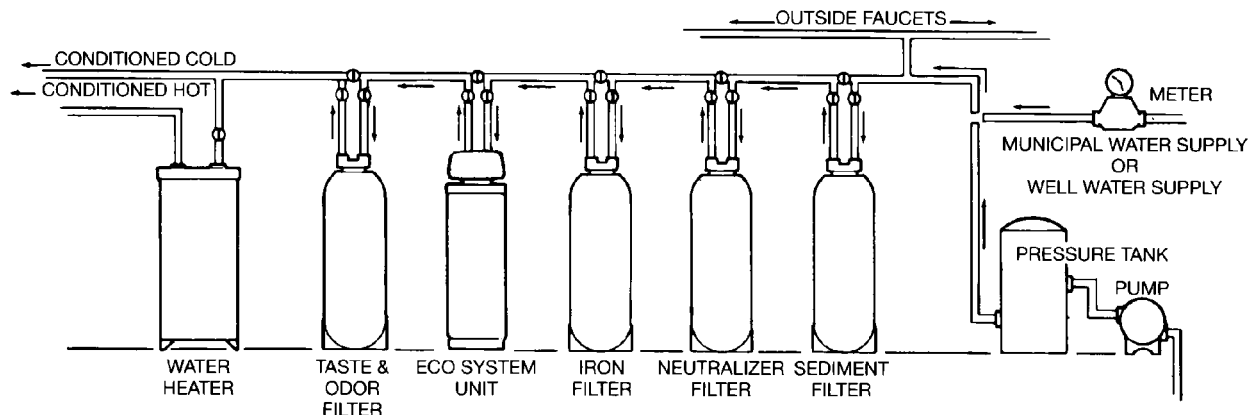
***VALVE DRAIN OPTIONS:** Flexible drain hose is not allowed in all localities (check your codes). For a rigid valve drain run, plumb according to local codes. To connect to the valve drain fitting, purchase an adaptor, garden hose thread x 5/8" (minimum) tube. Use a hacksaw to cut off barbs from the fitting.

SELECT INSTALLATION LOCATION

Consider all of the following when selecting an installation location for the filter selected.

- To filter all water in the home, install the filter close to the water supply inlet. To conserve filtered water, outside faucets should remain on raw water.
- If other water conditioning equipment is installed, locate as shown in Figure 3.
- A nearby drain is needed to carry away regeneration discharge water. A floor drain is preferred, with a laundry tub, standpipe, etc., as other options (check your local codes).
- The filter works on 24 volts only. A transformer is included (FOR INDOOR USE) to reduce 120V-60 Hz house electrical power. Provide an approved, grounded outlet within 10' of the filter. The transformer has an attached 10' power cable for connection between the outlet and the timer.
- Position the filter at least 6" from surrounding walls, or other appliances, to allow access for servicing.
- If installing the filter in an outside location, be sure to provide protection from the elements, contamination, vandalism, and sunlight heat. The sun's heat can melt plastic parts.

COMPLETE WATER CONDITIONING SYSTEM — Seldom would all the water conditioners shown below be needed on 1 water supply. The drawing does show the proper sequence location of each conditioner.



NOTE: FOR CLARITY OF THIS DRAWING, NOT ALL OF ECOWATER SYSTEMS WATER CONDITIONERS ARE ILLUSTRATED (REVERSE OSMOSIS, DISTILLERS, ETC.).

FIGURE 3

1. INSTALL INLET AND OUTLET FITTINGS

Note: All fittings are on the small parts skin pack.

a. Insert the turbine support, into the valve outlet port, up to the shoulder.

NOTE: If installing the EcoWater bypass valve, see separate instructions included with it.

b. Slide a lubricated o-ring onto one of the copper tubes. Carefully insert the copper tube into the outlet port (figure 4) and secure in place with a plastic “C” clip.

Note: For lubrication, use silicone grease approved for use on potable water supplies.

c. Repeat step b on the inlet side.

2. TURN OFF WATER SUPPLY

a. Close the main water supply valve, near well pump or water meter.

b. Shut off the electricity or fuel supply to the water heater.

c. Open high and low faucets to drain all water from hose pipes.

3. INSTALLING 3-VALVE BYPASS

If installing a 3-valve bypass system, plumb as needed, using FIGURE 2 as a guide. If installing sweat copper, be sure to USE LEAD-FREE SOLDER as required by federal and State codes. Use pipe joint compound on outside pipe threads.

4. MOVE FILTER INTO PLACE

Move the filter into the installation position, setting on a solid, smooth and level surface. If needed, place the filter on a section of 3/4” plywood. Then shim under the plywood to level the filter FIGURE 5.

CAUTION: DO NOT PLACE SHIMS DIRECTLY UNDER THE SHROUD. The weight of the tank may cause the shroud to fracture at the shim.

5. ASSEMBLE INLET AND OUTLET PLUMBING

Measure, cut and loosely assemble pipe and fittings from the main water pipe (or from bypass valves installed in step 3), to the filter inlet and outlet copper tubes.

BE SURE UNFILTERED WATER SUPPLY PIPE GOES TO THE FILTER INLET SIDE. Trace the water flow direction to be sure.

FIGURE 4

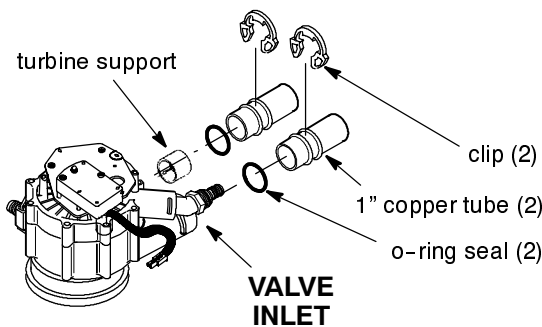
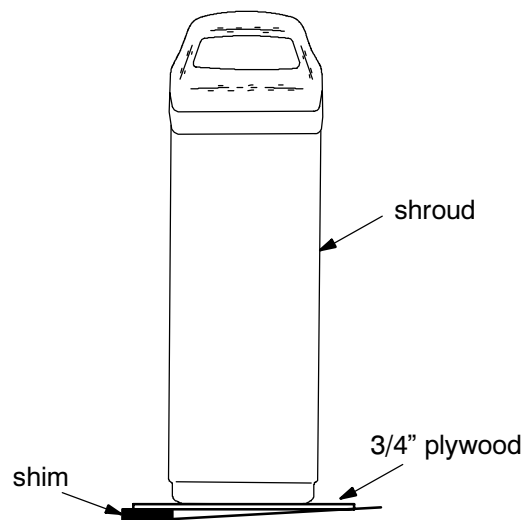


FIGURE 5



6. COLD WATER PIPE GROUNDING

The house cold water pipe (metal only) is often used as a ground for the house electrical system. The 3-valve bypass type if installation, shown in FIGURE 2, will maintain ground continuity. If you use the plastic bypass valve at the filter, continuity is broken. To restore the ground, install one of the following grounds.

- a. Use the included hose clamps and wire to jumper across the inlet and outlet copper tubes FIGURE 6a. **NOTE:** Hose clamps must be placed on pipes before soldering.
- b. Install a #4 copper wire across the removed section of main water pipe, securely clamping on both ends (figure 6b).

7. CONNECT INLET AND OUTLET PLUMBING

Complete the inlet and outlet plumbing as applicable.

a. SOLDERED COPPER

- (1) Thoroughly clean and flux all joints.
- (2) Remove the inlet and outlet tubes from the valve (pull plastic “C” clips), and o-rings from the tubes. **DO NOT SOLDER WITH TUBES INT THE VALVE. SOLDERING HEAT WILL DAMAGE THE VALVE.**
- (3) Make all solder connections. Be sure to keep fittings fully together, and pipes square and straight. **NOTE:** If using ground (step 6a), hose clamps must be placed on pipes before soldering.

- (4) **AFTER PLUMBING HAS COOLED,** repeat steps 1b and 1c.

b. THREADED PIPE

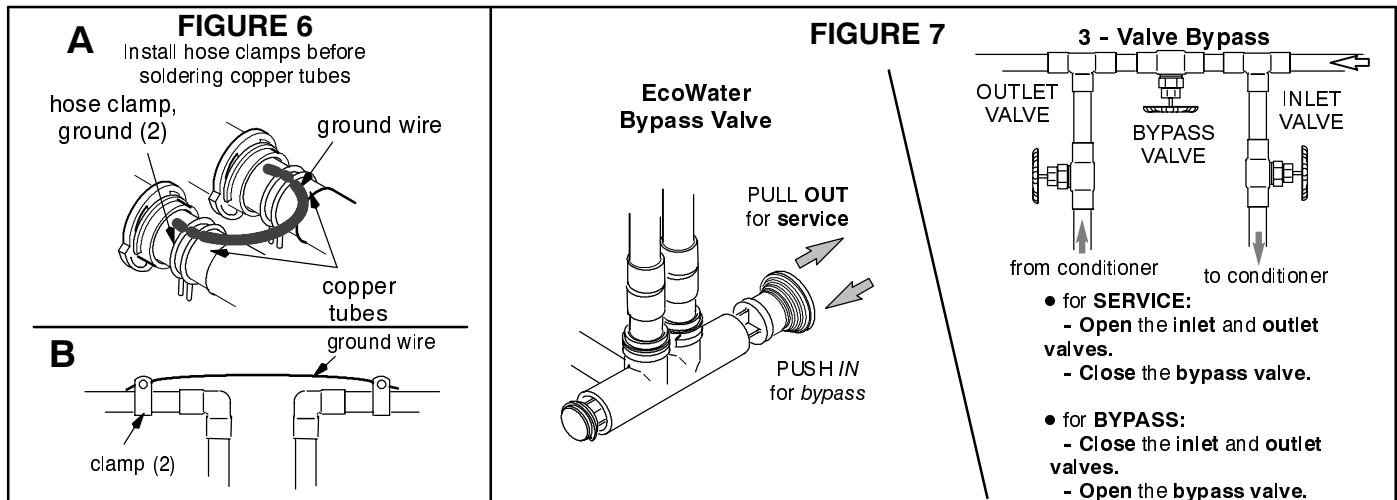
- (1) Apply pipe joint compound to all outside pipe threads.
- (2) Tighten all threaded joints.
- (3) If **SOLDERING TO INLET AND OUTLET TUBES,** observe steps (1) through (4) above.

c. CPVC PLASTIC PIPE

- (1) Clean, prime and cement all joints (follow instructions of the plastic pipe and fittings manufacturer).
- (2) **IF SOLDERING TO INLET AND OUTLET TUBES,** observe preceding steps (1) through (4).

8. INSTALL VALVE DRAIN HOSE

- a. Connect a length of 5/8” I.D. (minimum) hose to the valve drain elbow on the controller FIGURE 2. The elbow accepts either a hose onto the barb fitting, or standard garden hose onto the threads. To use the threads, cut off the barbs with a hacksaw. **NOTE:** Flexible drain hose is not allowed in all localities. See option on page 7.
- b. Run the hose to a floor drain, and as typically shown in FIGURE 2, tie or wire the end to a brick or other heavy object. This will prevent “whipping” during regenerations. Be sure to provide a 1-1/2” minimum air gap, to prevent possible sewer water back-up.



NOTE: In addition to a floor drain, you can use a laundry tub or stand pipe as a good drain point for this hose. Avoid long drain hose runs, or elevating the hose.

9. PRESSURE TESTING FOR LEAKS

TO PREVENT EXCESSIVE AIR PRESSURE IN THE FILTER AND PLUMBING SYSTEM, DO THE FOLLOWING STEPS IN ORDER

- a. Open two or more filtered water faucets, both hot and cold.
- b. Referring to figure 7, turn the bypass valves to service position.
- c. Slowly open the main water supply valve.
- d. Close the filtered water faucets after both of the following occur.
 - water runs smoothly, with no air bubbles
 - you can smell the sanitizing (page 5) bleach odor at the faucets
- e. Check your complete installation for leaks. If rework is required, be sure to observe precautions in step 6.

10. CONNECT ALL LEADWIRES

a. Connect the wire harness to the valve switch FIGURE 9. The switch is on the outlet side valve valve cover, behind the motor.

NOTE: Check to be sure the connector is secure, on the back of the timer.

b. Attach the male connector, on the valve motor leadwire, the the matching female connector on the faceplate timer.

c. Connect the power cable leads to the two terminals on the transformer.

11. CONNECT TO ELECTRICAL POWER

Connect the timer power cable leads to the two terminals on the transformer FIGURE 9. Plug the transformer into a continuously “live”, grounded, 120V-60Hz house electrical outlet, approved by local codes.

12. TO COMPLETE INSTALLATION, DO THE PROGRAMMING STEPS ON PAGES 11 AND 12.

NOTE WATER HEATER START-UP ON PAGE 12.

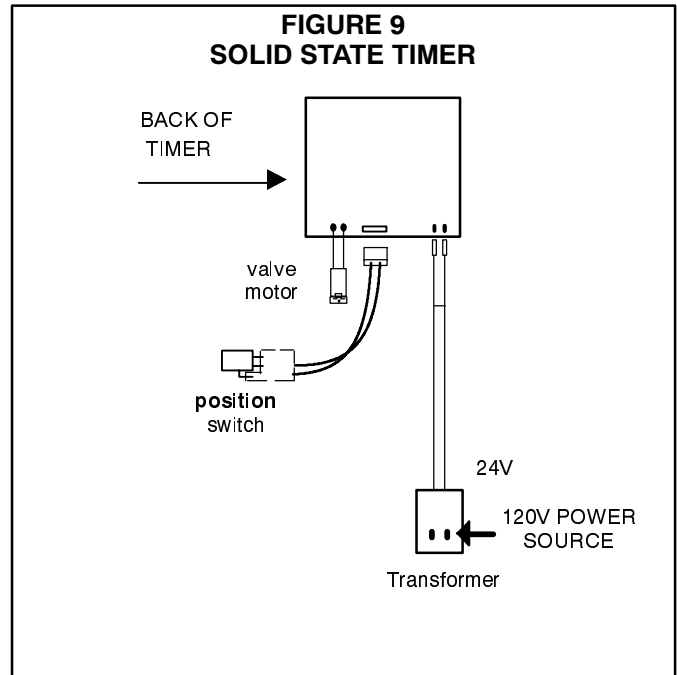
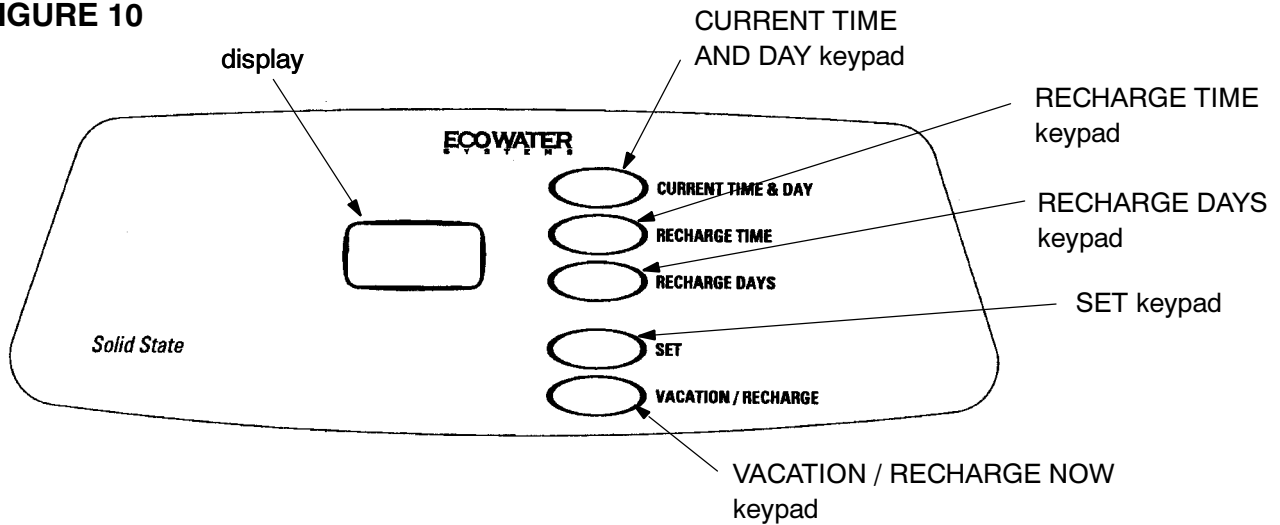


FIGURE 10



1. When the transformer is plugged into the electrical outlet, 12:00 AM, SUNDAY begins to flash in the time display. Set the **time of day** and present **day of week** as follows:

A. Set Time of Day

1. Press the CURRENT TIME AND DAY keypad once. The hour display continues to flash.
 2. Press the SET keypad until the present hour of the day shows in the display. Be sure AM for morning hours, or PM for afternoon and evening hours shows.
- Note:** Press SET and quickly release to move the hour display ahead one at a time to the correct hour. Or, **hold** the SET keypad to move the display ahead two hours each second, to the correct hour.
3. Press CURRENT TIME AND DAY keypad once to steady the hour display, and minutes begin to flash. Press SET until the correct minutes show in the display.
 4. Press CURRENT TIME AND DAY keypad again to steady the minute display (day will begin flashing).

B. Set Present Day of Week

1. Press the SET keypad to set the present day of the week in the display.
- Note:** Press SET and quickly release to move the day display one at a time. Or, **hold** the SET keypad to move the display ahead two days each second.

2. Press the CURRENT TIME AND DAY keypad again to steady the entire display.

C. Set Days and Time of Backwash

Note: The timer is factory set (default time) for Monday, Wednesday, and Saturday backwashes, beginning at 12:00 AM. If you have an Eco Water conditioner or another filter installed, the backwash timer and/or days should be offset to assure adequate water flow and pressure. For example, set the filter to start backwash at 12:00 AM, or 4:00 AM, if the conditioner is set to begin recharge at 2:00 AM.

1. Press RECHARGE TIME keypad once, to display the factory set backwash days and starting time (flashing). To change the backwash start time, do step 2 following, otherwise to to step 3.
 2. Press the SET keypad until the desired backwash starting time shows in the display.
- Note:** Press SET and quickly release to move the display ahead one hour at a time. Or, **hold** the SET keypad to move the display ahead two hours each second.
3. Press the RECHARGE DAYS keypad and SUNDAY begins to flash.

...If you **want** backwashes on Sunday, press the SET keypad to display **ON**.

NOTE: One backwash each week is usually sufficient to keep the mineral bed clean and expanded. If the water supply contains iron, or high sediments, additional backwashes may be needed.

...If you **do not want** Sunday backwashes, press SET keypad to display **OFF**.

4. Press the RECHARGE DAYS keypad again to display a flashing MONday and **ON** (factory set recharge). As you did in step 3, use the SET keypad to change the display from ON to OFF, or from OFF to ON, as desired.

5. Press RECHARGE DAYS keypad to display a flashing TUEsday, WEDnesday, etc., each time using the SET keypad to display either ON or OFF as needed.

2. Press and hold the VAC/RCHG keypad for three seconds until RCHG begins to flash in the display, starting a backwash. This backwash flushes “fines” from the new mineral, and purges air and bleach, re-

maining from the sanitizing procedure. The filter returns to service in about 45 minutes.

3. RESTART THE WATER HEATER: Turn on the electric or fuel supply to the water heater, and light the pilot, if applies. **Note:** The water heater is filled with unfiltered water and, as hot water is used, it re-fills with filtered water. In a few days, hot water will be fully filtered. To have fully filtered water immediately, wait until the recharge (step 2 above) is over. Then, drain the water heater until water runs cold.

THE SOLID STATE TIMER IS NOW PROGRAMMED AND INSTALLATION IS COMPLETE.

FEATURES / OPTIONS

RECHARGE NOW – For an immediate extra backwash at any time, use this feature. Press and **hold** in the VAC/RCHG keypad for three seconds until **RCHG** flashes in the display. The filter backwashes for 25 minutes, followed by a 5 minute fast rinse cycle. Then the filter returns to service.

VACATION – The day you leave on vacation, or other long absence, press (DO NOT HOLD IN) the VAC/RCHG keypad. **VAC** begins to flash in the display. The timer will keep time, but the filter will not backwash and waste water.

Note: While in the VACATION setting, the filter **will** go through a backwash if the RECHARGE NOW feature is used (see above).

WHEN YOU RETURN, press the VAC/RCHG keypad again to return the filter to service, and the correct time of day in the display. **Remember to to this or the filter will not backwash and you will soon have unfiltered water.**

DOUBLE BACKWASH – Although available on this timer, a double backwash cycle is not normally needed with a sediment, taste and odor, or neutralizing filters. To set, if desired...

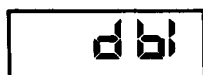
1. Press and **hold** SET until 18:88 shows in the display..



2. Press CURRENT TIME AND DAY to display 3 dashes.



3. Press SET to display **dbl**.



4. Press CURRENT TIME AND DAY to display 18:88.

5. Press SET to return present time.

To **cancel** double backwash, repeat the above steps. Displays for **dbl** and **---** occur in reverse order.

TIMER “POWER-OUTAGE MEMORY” – If electrical power to the timer goes off, the “memory” built into timer circuitry keeps **all** settings for at least two days or more. The display is blank and the filter will not backwash. When electrical power comes on, one of two things will happen.

1. The present time of day will show, meaning the timer memory has kept all settings.

Note: *If the filter was **in** a backwash when power was lost, it will now finish the cycle.*

2. The display will show a time, but it will be flashing. The timer memory did **not** keep the time settings and they must be reset.

The flashing display is to remind you to reset the timer.

Notes:

When power comes on, the flashing display returns to a time of 12:00 AM SUnDay, then begins to keep time again. If you do not reset all time settings, the filter will backwash three days each week (default time). However, backwash may be on the wrong days and at the wrong time.

If the filter was in a backwash when power went off, the valve will return to service position without finishing the cycle. If your water is unfiltered, use the RECHARGE NOW feature to start another cycle.

INFORMATION FOR QUALIFIED TECHNICIANS ONLY

RECHARGE CYCLE TIME ADJUSTMENTS: Factory set default cycle times are:

BACKWASH...25 minutes, and **FAST RINSE**...5 minutes. Do the following to check for correct cycle times.

Note: Removing from electrical power (about two days) resets times to factory set defaults.

DISPLAY MUST SHOW TIME AND DAY

1. Press and **hold** SET ... entire display comes on.



2. Press RECHARGE TIME ... 2:00 should show in the display. If not, press SET until 2:00 does show.



3. Press RECHARGE TIME ... 3:25 shows, meaning #3 cycle (backwash) and 25 minutes.



a. If 3:25 **does** show, go to step 4.

*b. If other than 3:25 (3:00 to 3:30), press SET until 3:25 shows.



4. Press RECHARGE TIME ... 4:05 shows, meaning #4 cycle (fast rinse) and 5 minutes.



a. If 4:05 **does** show, go to step 5.



b. If other than 4:05 (4:00 to 4:30), press SET until 4:05 shows.



5. Press RECHARGE TIME ... 18:88 shows.

6. Press SET to return present time and day.

*Or, set other cycle length, if desired.

GENERAL INFORMATION

...**SEDIMENT FILTERS** – A sediment filter removes, sand, clay, silt, or fine organic matter from water. You can see sediment in water by holding a sample, in a clear glass, up to a light. The particles are either suspended or settled to the bottom of the glass.

“Filter Aggregate” mineral mechanically filters the sediment particles as water passes through the bed. This mineral lasts indefinitely when properly maintained.

...**ACID NEUTRALIZERS** – Acid water (6.0 to 6.8 pH) is corrected with an acid neutralizer filter. Acid water, although sometimes clear in appearance, shortens the life of iron pipe, and corrodes copper or brass pipe and fittings. It causes green or blue stains on plumbing fixtures and may etch porcelain enamel over a period of time.

Acid water, as it passes through the filter Neutralite mineral bed, dissolves some of the mineral. This raises the pH above 6.8, to neutralize the acid. Because the mineral does dissolve, the filter eventually needs refilling. The time between refills varies with the degree of acidity and how much water is used. The average life of the be is about one year.

...**TASTE AND ODOR FILTERS** – A taste and odor filter removes most tastes, odors and certain organic colors from water. Bad tastes and odors are due to a variety of causes (chlorine, petroleum, tannins, etc.). The activated carbon mineral, of a taste and odor filter, has a high capacity for absorbing these impurities.

The activated carbon bed usually lasts for about one year. However, high amounts of tastes and odors and/or excessive water usage may shorten this time. Activated carbon is nonregenerative and needs replacing when exhausted.

SERVICE, BACKWASH AND FAST RINSE

SERVICE (See figure 11): Unfiltered water enters the valve inlet port. Internal valve porting routes the water down and out the top distributor, into the mineral tank. The water is filtered as it passes through the mineral bed, then enters the bottom distributor. Filtered water flows back into the valve and out the valve outlet, to the house filtered water pipes.

In time, the filter needs cleaning to remove sediments, dirt, iron, etc., from the mineral bed. This cleaning is done in two stages, or cycles, called backwash and fast rinse. It is started automatically by the timer.

BACKWASH (See figure 12): The timer starts the valve motor and moves the valve into backwash

position. Water is routed down and out the bottom distributor, up through the mineral bed, and out the top distributor to the drain. The fast flow (controlled by a flow plug in the drain fitting) flushes dirt, sediments, iron deposits, etc. to the drain. The mineral bed is lifted and expanded for maximum cleaning.

FAST RINSE (See figure 13): Valve rotation positions the inner discs so water flow enters the mineral tank through the top, and exits at the bottom, to the drain. The fast flow of water downward, packs the mineral bed and prepares it for return to service.

The timer energizes the valve motor again to return the valve to service.

WATER FLOW PATHS

FIGURE 11

SERVICE CYCLE

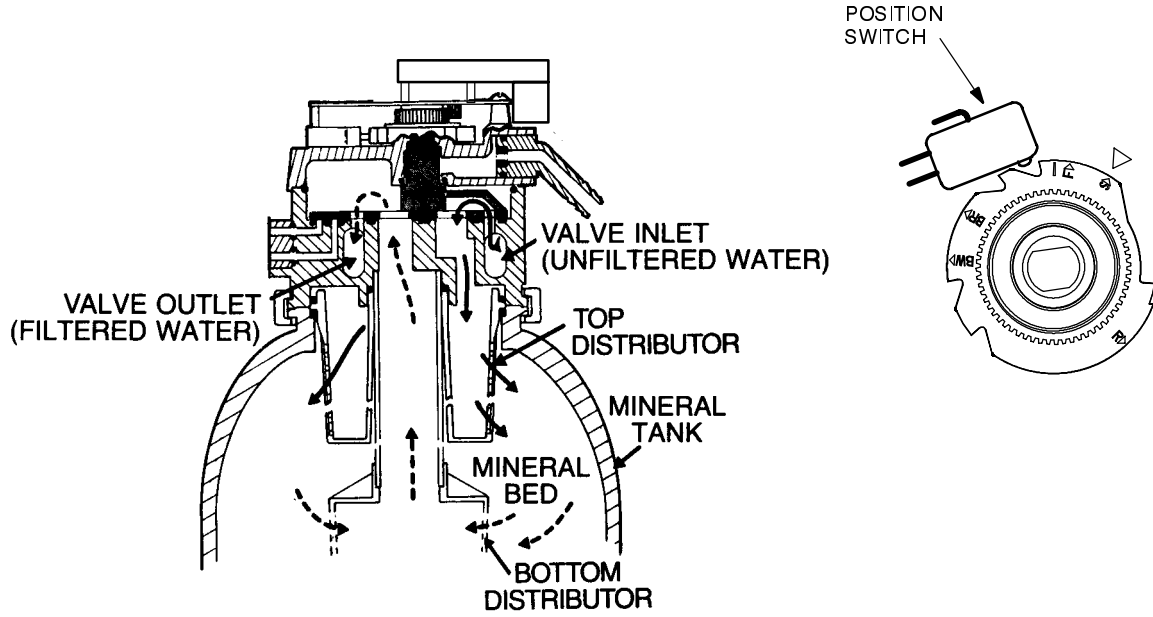


FIGURE 12

BACKWASH CYCLE

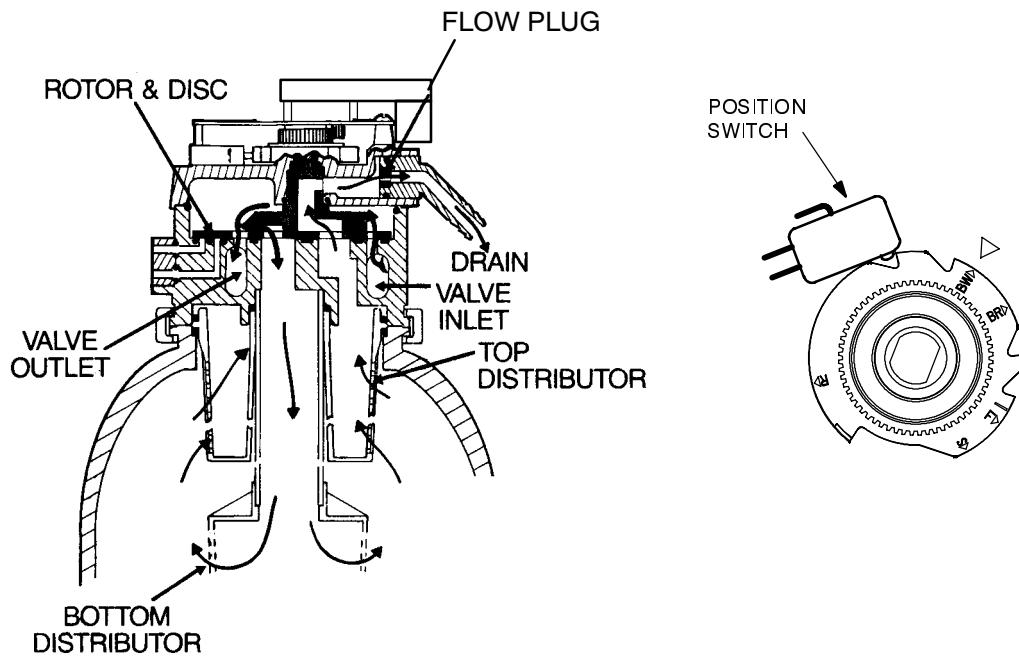
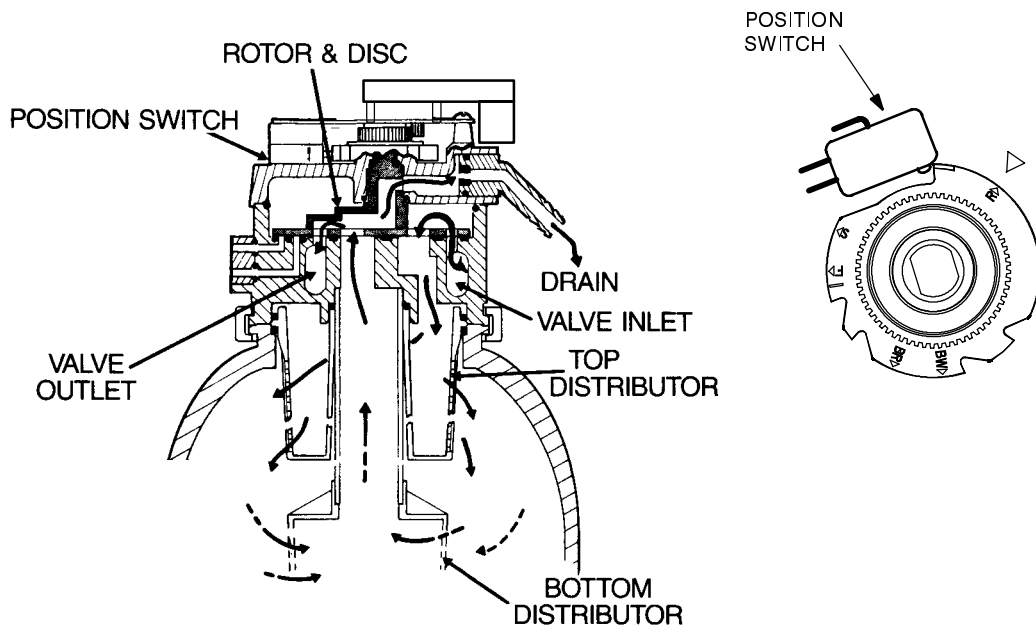


FIGURE 13

FAST RINSE CYCLE



NEUTRALIZING FILTER - CHECKING THE MINERAL LEVEL IN THE TANK: As explained on page 14, the mineral dissolves in the water to neutralize the acid. How fast it dissolves depends on how much water your household uses and the pH of the water.

Every few months you should measure the mineral bed level in the tank. Always add new mineral before the tank is empty. To measure, do the following.

1. Refer to page 12 and initiate the RECHARGE NOW feature.
2. When water starts to run from the drain hose, put the plumbing bypass valve(s) in bypass position...see figure 7, page 9, TO DEPRESSURIZE THE FILTER.
3. Unplug the transformer at the wall outlet.
4. Remove the controller cover.
5. Disconnect the inlet and outlet copper tubes...see page 8.
6. Remove the valve assembly from the mineral tank...page 5.
7. Remove the top distributor and four o-ring seals...page 5.

8. Use a yard stick or steel tape measure to find the distance down to the top of the mineral bed...FIGURE 14. If 15" below the suggested freeboard, add more neutralite material.

9. Use a funnel to add more mineral, if needed.
10. Flush all mineral from the tank top opening. Then replace the distributor and four o-ring seals...figure 1, page 5.

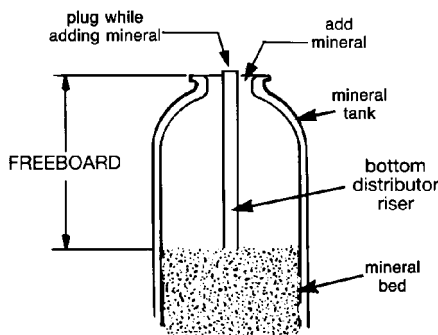
11. Do the following steps to return the filter to service.

- step 4, page 5
- step 1b and 1c, page 8
- step 8, page 9, if hose was disconnected
- steps 9 through 12, page 10.

Note: After electrical power is applied, see page 11 if the time display is flashing.

- initiate RECHARGE NOW feature, see page 12.

FIGURE 14



	SUGGESTED FREEBOARD
ETF2100PF10	15"
ETF2100PF12	16"

TASTE AND ODOR FILTER - REPLACING THE ACTIVATED CARBON MINERAL BED (SEE PAGE 14): When the filter no longer removes tastes and/or odors from the water, the activated carbon bed must be replaced. To replace the bed:

1. Do steps 1 through 7, above left.
2. Carefully lay the filter tank over. Pull the standpipe and bottom distributor from the mineral bed.
3. Dump the contents of the tank into a suitable container.
4. Stand the tank upright and replace the bottom distributor and standpipe.
5. Add the required amounts of gravel, filter sand, and activated carbon mineral...see specifications, page 4.
6. Do steps 10 and 11, above.

TROUBLESHOOTING

ALWAYS MAKE THESE **INITIAL CHECKS** FIRST

1. Does the time display show the correct time of day?

...If display is blank, check power source to the filter.

...If time is flashing, power was off for over two days. The filter resumes normal operation but back-washes occur at the wrong time.

2. Plumbing bypass valve(s) must be in **SERVICE** position (see figure 7, page 9).

3. The inlet and outlet pipes must connect to the filter inlet and outlet respectively.

4. Is the transformer plugged into a “live” grounded wall outlet, and the power cable fastened securely?

5. The valve drain hose must be free of kinks and sharp bends.

If you do not find the problem after making the initial checks, do the **MANUAL ADVANCE DIAGNOSTICS**.

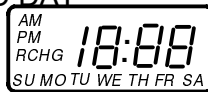
MANUAL ADVANCE DIAGNOSTIC

Use the following procedures to advance the filter valve through the regeneration cycles to check operation.

Remove the top cover to observe cam and switch operation during valve rotation.

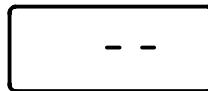
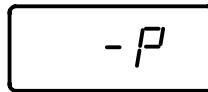
DISPLAY MUST SHOW TIME AND DAY

1. Press and hold set for 3 seconds until 18:88 displays.



2. Press RECHARGE DAY to display the position switch open or closed indicator.

The letter (P) and dash or dashes indicate position switch operation. The letter shows if the switch is closed. A dash shows when the switch is open.



NOTE: *The position switch is closed when the plunger is depressed, open when extended.*

CORRECT SWITCH DISPLAYS	VALVE CYCLE STATUS
- -	valve in service, backwash or fast rinse position
- P	valve rotating from one position to another

NOTES:

While in manual advance, the time display will automatically return to the present time, if a face plate keypad is not pressed within four minutes.

Pressing VAC/RCHG while the motor is running has no effect.

3. To enter backwash, press and **hold** VAC/RCHG for three seconds to start the motor.

a. If the motor does not run, check the motor and all wiring connections.

Look for a fast flow of water from the drain hose (see specs).

a. An obstructed flow indicates a plugged top distributor, backwash flow plug, or drain hose.*

***Note:** Be sure household water pressure (well system) is maintained at a minimum of 20 psi. Adjust the pump switch upward, if needed.

4. Press VAC/RCHG to move the filter into fast rinse. Again, look for a drain flow rate about the same and in backwash.

5. To return the filter to service, press VAC/RCHG once.

6. Upon returning to service, press RECHARGE DAY to display 18:88.

7. Press SET to return to the present time.

OTHER SERVICE

UNFILTERED WATER BYPASS (unfiltered water “bleeds” into filtered water supply.

1. Defective inlet disc, seal or wave washer (see pages 30 and 31).
2. Missing or defective o-ring(s) at resin tank to

valve connection (see Key no. 11, page 29).

WATER LEAKS FROM DRAIN HOSE (during service)

1. Defective inlet disc, seal, or wave washer.
2. Defective o-ring on inlet disc shaft.
3. Defective outlet disc, seal, or wave washer.

AUTOMATIC ELECTRONIC DIAGNOSTICS

The face plate has a self diagnostic function for the electrical systems (except input power). The face

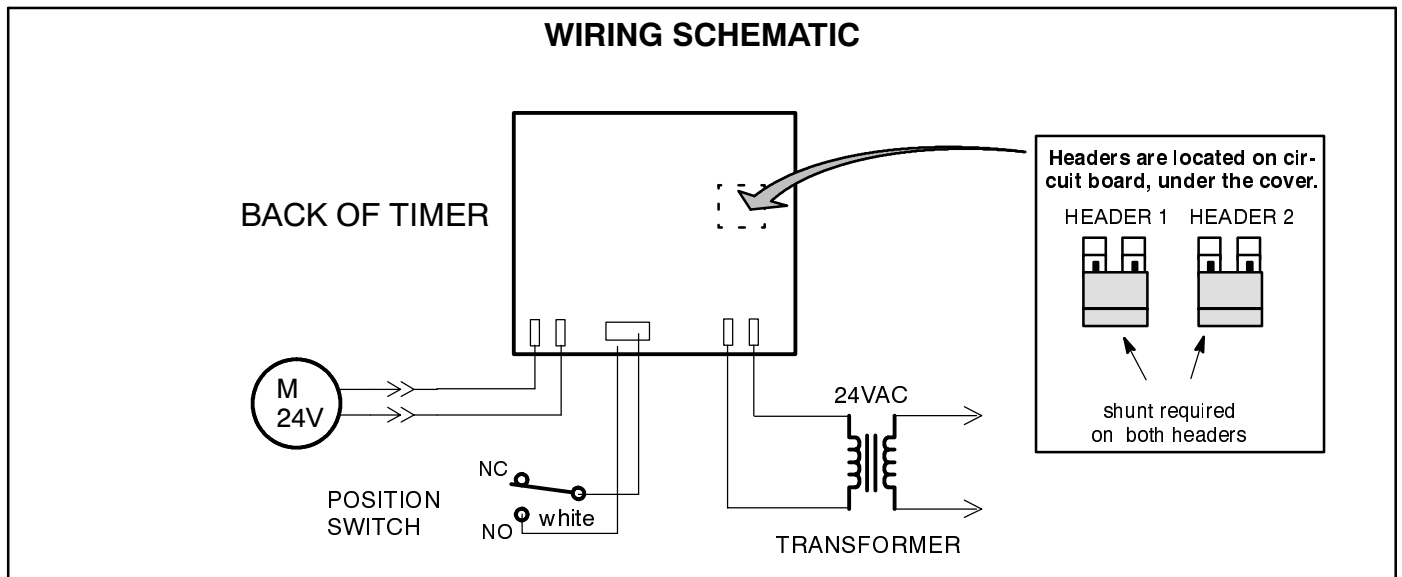
plate monitors the electronic components and circuits for correct operation. If a malfunction occurs, an error code appears in the face plate display.

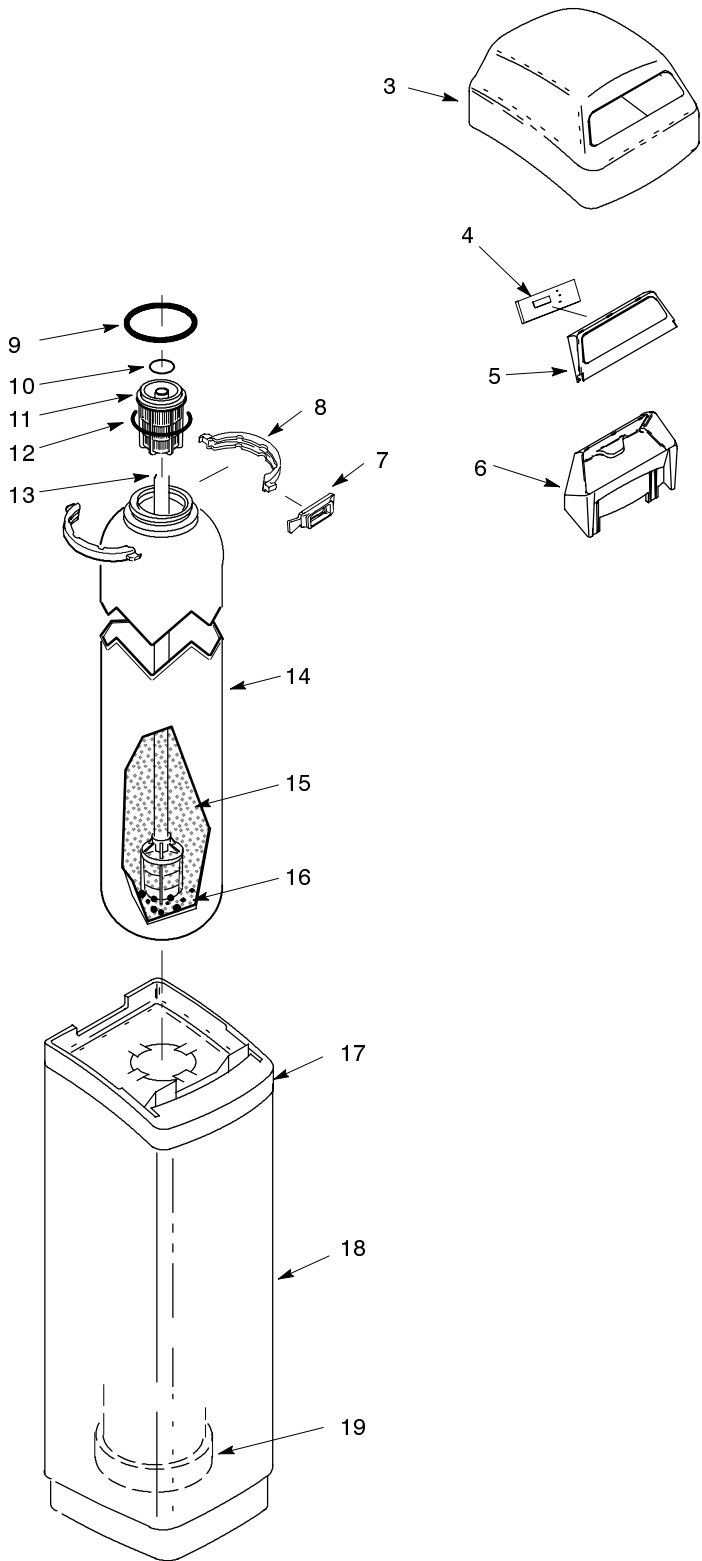
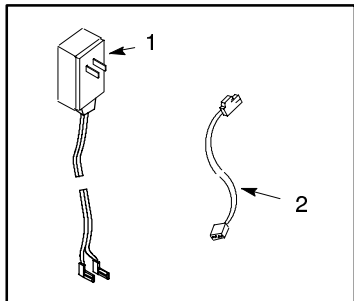
POSSIBLE DEFECT

CODE	MOST LIKELY ➤ ----- ----- ➤	LEAST LIKELY
Err 01 Err 02 Err 03 Err 04	wiring harness or connection to position switch / switch / valve defect causing high torque / motor inoperative	
Err 05	faceplate	

PROCEDURE FOR REMOVING ERROR CODE FROM FACEPLATE: 1. Unplug transformer---- 2. Correct defect---- 3. Plug in transformer---- 4. Wait for 6 minutes. The error code will return if the defect was not corrected. Press and hold the VAC/RCHG keypad for 3 seconds as an alternate way to clear an error code.

WIRING SCHEMATIC



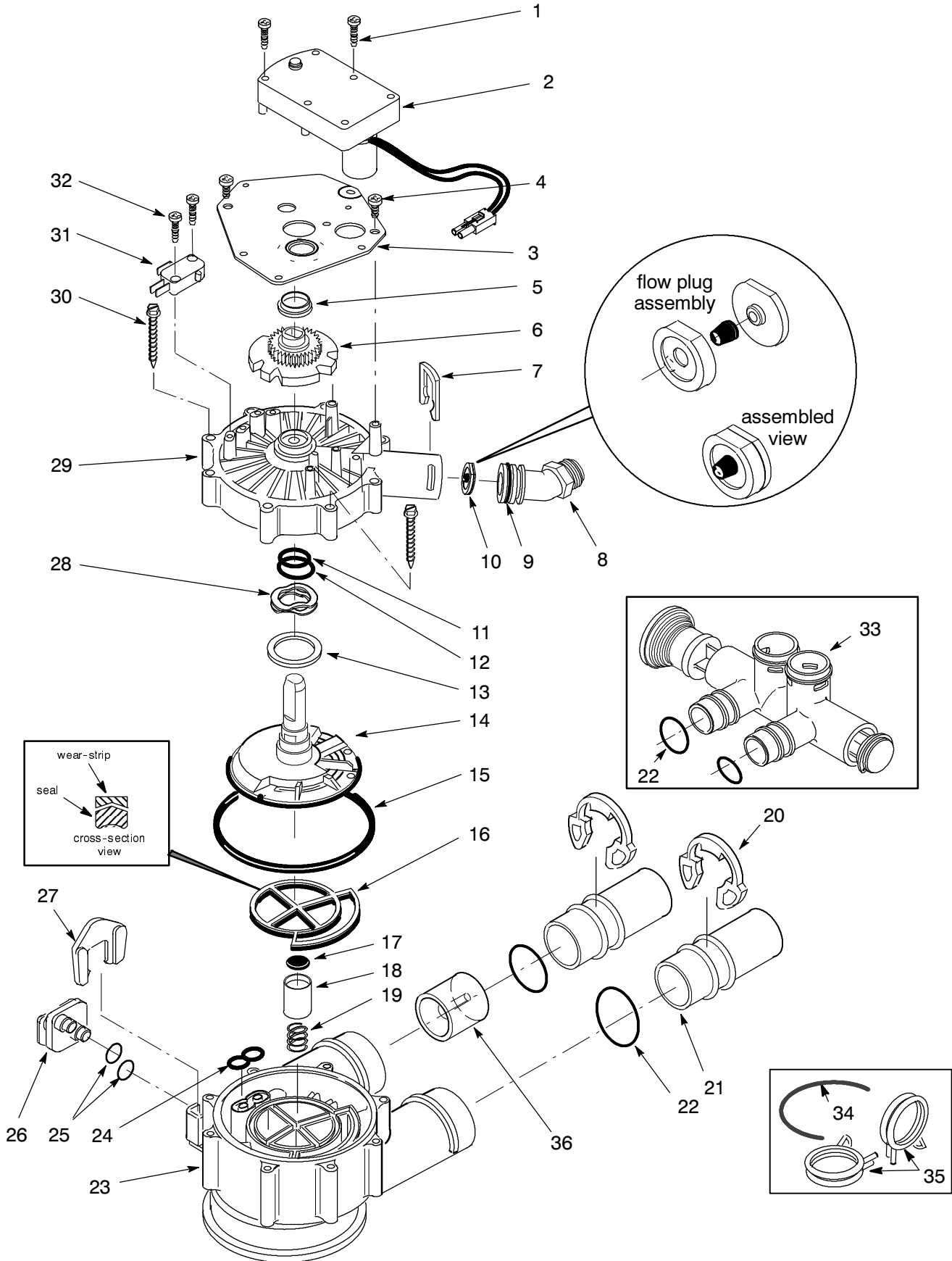


KEY NO.	PART NO.	PART DESCRIPTION
1	7252373	Transformer, 24V - 10VA
2	7130767	Wire Harness
3	7218670	Top Cover
4	7218701	Rep'l PWA
5	7210517	Face Plate (order following decal)
-	7214197	Decal
6	7211173	Face Plate Support
7	7176292	Clamp Section, 2 req'd
8	7088033	Clamp Retainer (Clip), 2 req'd
9	7170296	O-ring, 2-7/8 I.D. x 3-1/4 O.D.
10	7170254	O-ring, 13/16 I.D. x 1-1/16 O.D.
11	7088855	Top Distributor
12	7170270	O-ring, 2-3/4 I.D. x 3 O.D.
13	7105047	Rep'l Distributor, bottom
14	7092202	Resin Tank, 10" dia. x 47"
-	7113074	Resin Tank, 12" dia. x 54"
15	-	Filtering Minerals ¹
-	0505647	Filter Aggregate, 1 cu. ft.
-	3423699	Neutralite, 1/2 cu. ft.
-	4100700	Activated Carbon, 1 cu. ft.
-	7175149	Activated Carbon, 50 lbs.
16	7025027	Gravel (order amount needed)
17	7210460	Rim
18	7218646	Shroud, 10" dia. x 47"
-	7218654	Shroud, 12" dia. x 54"
19	7141205	Tank Base
■	0501783	Filter Sand, 10 lbs. ¹

NOTE: See specifications, page 4, for mineral bed requirements.

¹ Not included with filter.

■ Not illustrated.



KEY NO.	PART NUMBER	DESCRIPTION OF PART
1	7224087	Screw, #8-32 x 1" (2 req.)
2	7234731	Motor (incl. 2 ea. of Key No. 1)
3	7231393	Motor Plate
4	0900857	Screw, #6-20 x 3/8 (3 req.)
5	7171250	Bearing
6	7219545	Cam and Gear
7	7169180	Clip (Drain)
8	7172793	Drain Hose Adaptor
9	7170288	O-ring, 15/16 x 1-3/16
10	7178189	Flow Plug, 5 gpm
-	7178202	Flow Plug, 7 gpm (12" dia. APF)
11	7170327	O-ring, 5/8 x 13/16 ■
12	7173024	O-ring, 1-1/8 x 1-1/2 ■
13	7174313	Bearing, Wave Washer
14	7185500	Rotor & Disc
15	7173032	O-ring, 4-1/2 x 4-7/8 ■
16	7171179	Rotor Seal ■
-	7171331	Wear Strip ■
17	7172989	Seal ■
18	7171187	Plug (Drain Seal)
19	7129889	Spring
20	7089306	Clip (2 req.)
21	7077642	Copper Tube, 1" (2 req.)
22	7170262	O-ring, 1-1/8 x 1-3/8 (4 req.)

KEY NO.	PART NUMBER	DESCRIPTION OF PART
23	7171145	Valve Body
24	7195482	Seal ■
25	7170319	O-ring, 1/4 x 3/8
26	7100940	Plug
27	7081201	Retainer
28	7175199	Wave Washer
29	7171161	Valve Cover
30	7172997	Screw, #10 x 2-5/8 (8 req.)
31	7145186	Switch
32	7140738	Screw, #4-24 x 3/4 (2 req.)
33	7214383	Bypass Valve (Includes following parts) ①
-	7172882	Stem
-	7173016	O-ring, 1.109 I.D. x 1.387 O.D. (4)
-	7175238	C-ring
34	7207726	Ground Wire
35	7163427	Hose Clamp (2)
36	7078240	Support
■	7185487	Seal Kit (incl. Key Nos. 11, 12, 15, 16, 17 and 24)

① Optional part.

ECOWATER
S Y S T E M S[®]



EcoWater Systems
P.O. Box 64420 St. Paul MN 55164 - 9888
(651) 739-5330